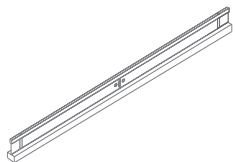




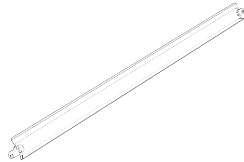
# Installation Guide

## Gridlux T Rail in Grid

### YOU WILL NEED



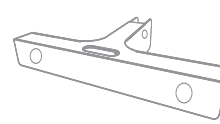
GRID LUX T RAIL



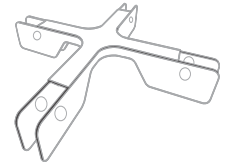
CEILING GRID



SCREWS

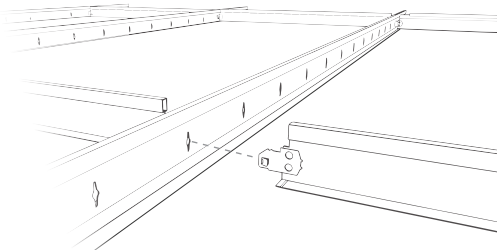


THREE WAY  
CONNECTOR



AND/OR  
FOUR WAY  
CONNECTOR

#### step 1



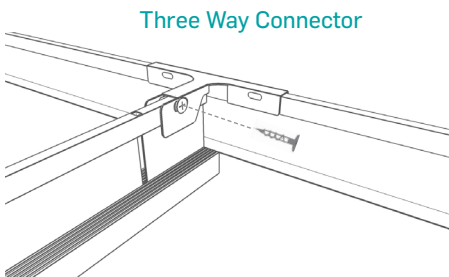
Omit Cross tees for 1200 units

#### step 1

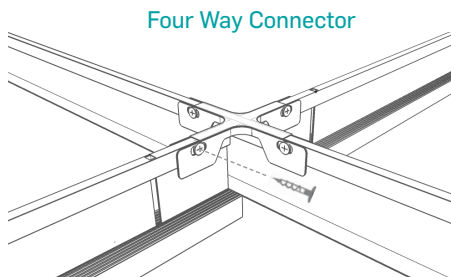
Construct grid as per manufacturers instruction. Grid Lux is much like a regular cross tee, omit standard cross tees where Grid Lux is specified. Where a 600mm Grid Lux spans two cross tees, install grid as per usual.

\* Please note: It is essential that the cross tee web is 38mm high for the system to work

#### step 2



Three Way Connector

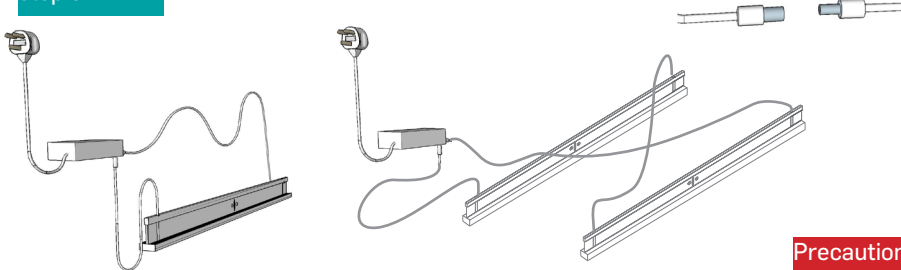


Four Way Connector

#### step 2

Once the grid is created, place Grid Lux into grid. Fix with 3 or 4 way connectors depending on configuration. Screw the connector clip into the grid to ensure seismic compliance.

#### step 3



Precaution

#### step 3

Connect Grid Lux to driver. Daisy chain the lights where multiple units run off one driver. \*Please check specification for configuration.

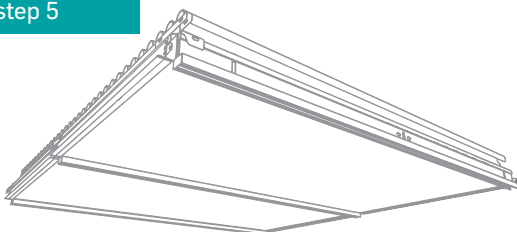
#### step 4

Plug driver into power socket. **Warning: Make sure that the Grid Lux chain is complete before connecting to power source.**

**Male plug needs to be paired with female plug.**

**Minimum 1200 luminaires of light per driver.**

#### step 5



#### step 5

Place tile into grid as per standard installation.

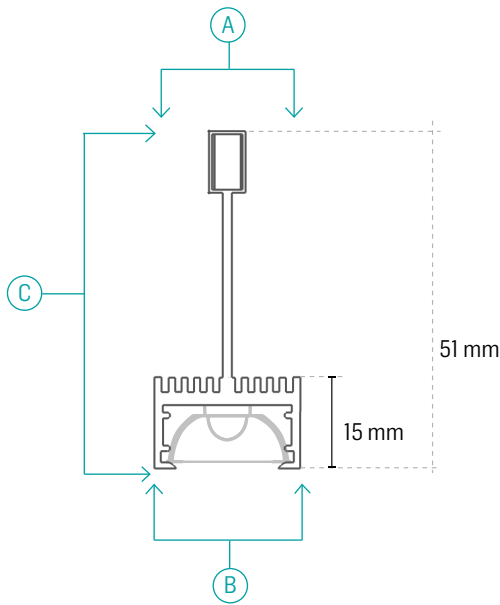
Cover tiles and Grid Lux in insulation as required. The heat sink is below the tiles.

**Please Note:** GridLux is installed as part of the ceiling, and should be tendered as part of the ceiling contract. Installation will need to be coordinated with the electrical contractor for power points in the plenum.

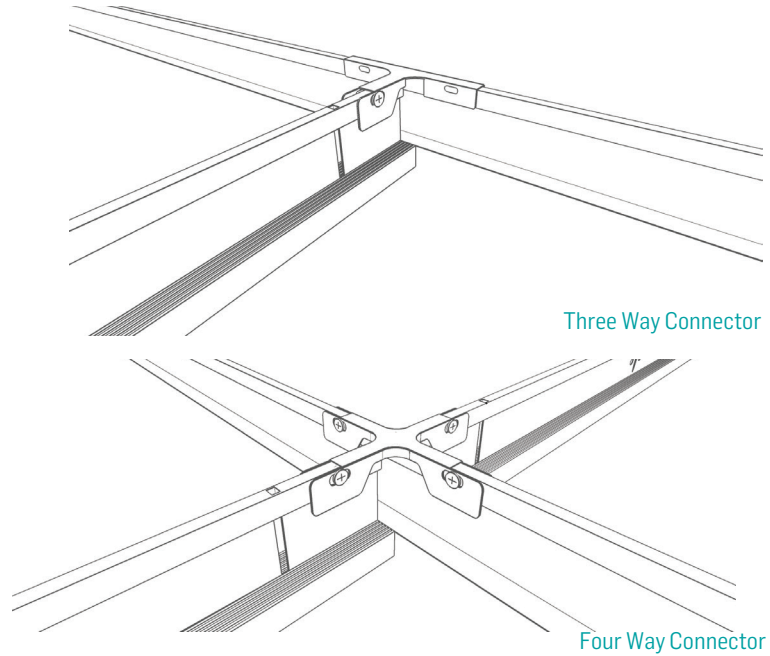


# Installation Guide

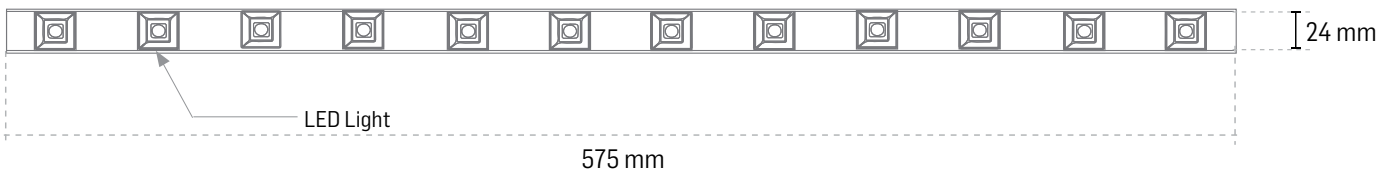
## Gridlux T Rail in Grid



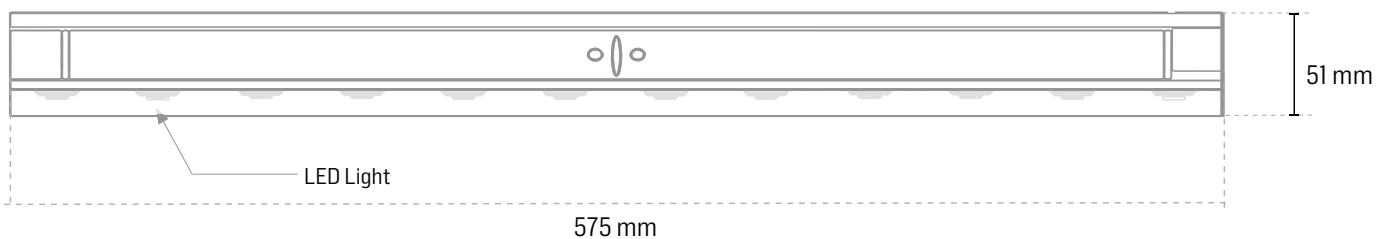
View A



View B



View C



Wellington Head Office  
12 Glover St, Ngauranga  
Wellington 6035  
PO Box 38533  
Wellington Mail Centre 5045  
/t/ 04 499 5915

Auckland  
19 - 21 Fairfax Ave,  
Penrose, Auckland 1061  
PO Box 112360,  
Penrose, Auckland 1642  
/t/ 09 571 0395

Christchurch  
69 Disraeli St, Addington  
Christchurch 8023  
PO Box 7197  
Christchurch 8240  
/t/ 03 366 2507